

RS232/RS485 ISOLATED CONVERTER

DATA SHEET

The RS232 / RS485 Isolated converter module is used to convert RS232 data communications signals for transmission over 2 or 4 wire RS485(RS422) twisted pair cables. The RS232 RTS connection can be used to turn the transmitter on when transmitting in 2 wire mode (half duplex) or it can be permanently enabled, for an easy to use, one-to-one communications link in 4 wire mode (full duplex). The converters can be used to extend the limited distance capabilities of RS232 devices such as printers and terminals for up to one kilometre.

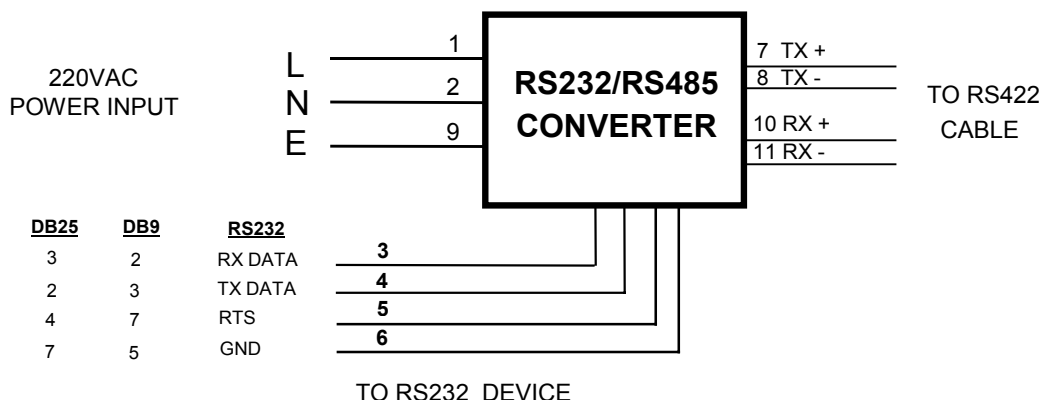
Standard features of the converter are :

- **2 or 4 Wire Operation.**
Internal jumpers are used to select 2 wire (RS485) or 4 wire (RS422) modes.
- **RTS Flow control.**
The RS232 RTS signal can be used to switch the transmitter on and off when multiple converters are connected to the same cable. For 4 wire point to point operation the RTS signal is not required and the RS485 Tx and Rx can be permanently enabled.
- **Signal Isolation.**
The converter module isolates the RS232 and RS485 signals to prevent ground loops between remote devices.
- **DIN Rail Mount.**
The converter module plugs directly into a 11PIN industry standard relay base which may be DIN rail mounted or flush mounted.

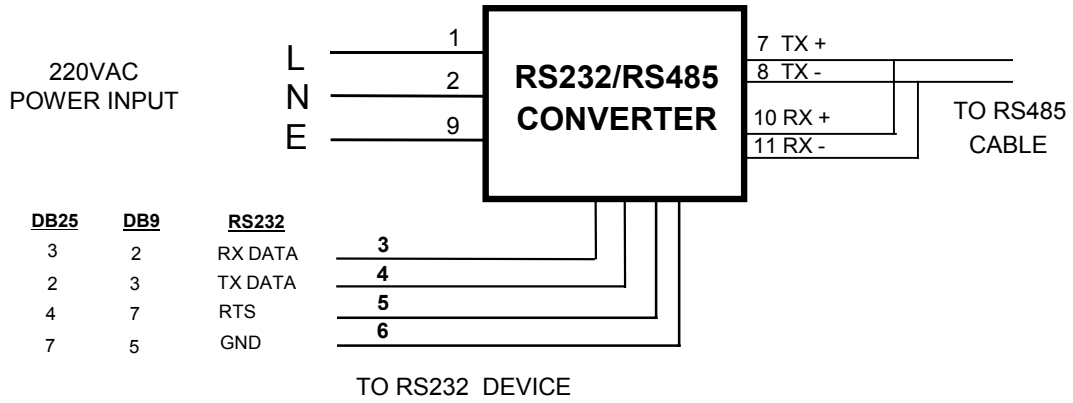
TECHNICAL DATA

1. **POWER REQUIREMENT:** 200 - 260VAC 50/60Hz. – LED POWER indication
2. **TRANSMISSION MEDIUM:** 2 OR 4 Wire twisted pair cable.
3. **TRANSMISSION DISTANCE:** Up to 1 Km.
4. **BAUD RATE:** up to 38400 maximum.
5. **ISOLATION:** Transformer/OptoCoupler - 1500VACrms
6. **OPERATING TEMPERATURE:** -20°C to + 80°C.
7. **MOUNTING CONNECTOR:** 11 Pin Connector on rear of unit.
8. **DIMENSIONS:** 75mm (HIGH) X 40mm (WIDE) X 85mm (DEEP)

MODULE WIRING

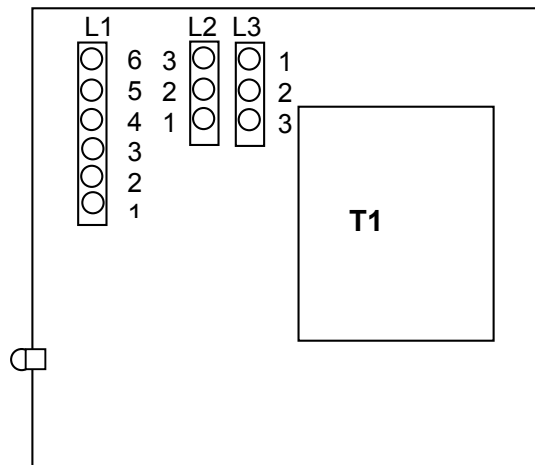


4 WIRE OPERATION



2 WIRE OPERATION

Jumper Setting:



L1 LINK SETTINGS:

1 - 2 TX PERMANENTLY ENABLED
2 - 3 TX CONTROLLED BY RTS

4 - 5 RX CONTROLLED BY RTS
5 - 6 RX PERMANENTLY ENABLED

L2 & L3 LINK SETTINGS: (idle state receiver output)

1 - 2 RX OP = '1'
2 - 3 RX OP = '0'
NO CONNECTION - TRI STATE

RECOMMENDED SETTINGS:

2 WIRE (FACTORY DEFAULT):

L1 2-3 & 4-5
L2&L3 1-2

4 WIRE:

L1 1-2 & 5-6
L2&L3 NO CONNECTION

*****NOTE:** 120ohm termination resistors must be placed at the ends of the twisted pair cables for correct operation.

Order Codes: MM232/485CONV

Manufactured by:



PROCON
ELECTRONICS CC

P.O.Box 24
STANFIELD
3613
SOUTH AFRICA

Tel: +27 (031) 7028033
Fax: +27 (031) 7028041

Supplied by: