

MM485FIBRE RS422 / RS485 TO 850nm FIBRE OPTIC CONVERTER UNIT

DATA SHEET

The MOD-MUX RS485(RS422) / Fibre Optic converter unit is used to convert RS485/RS422 data communications signals for transmission over multi-mode fibre optic cables. The converters can be used to extend the limited distance capabilities of RS485 devices for up to two kilometres.

The RS485 Fibre Optic converter is ideal for extending RS485 signals through areas of high electrical noise due to the EMI immunity of fibre.

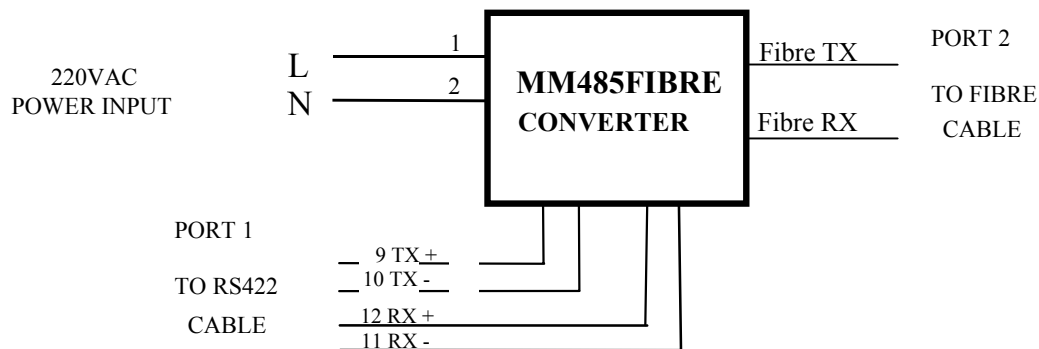
Standard features of the converter are:

- **2 (RS485) or 4 (RS422) Wire Operation.**
External wire links are required to select 2 wire (RS485) mode.
- **Baud Rate, Data Bits, Stop Bits, Parity and Half or Full Duplex Mode.**
Each port is configurable via an 8way dipswitch.
- **DIN Rail Mount.**
The converter module plugs directly on to a DIN rail.

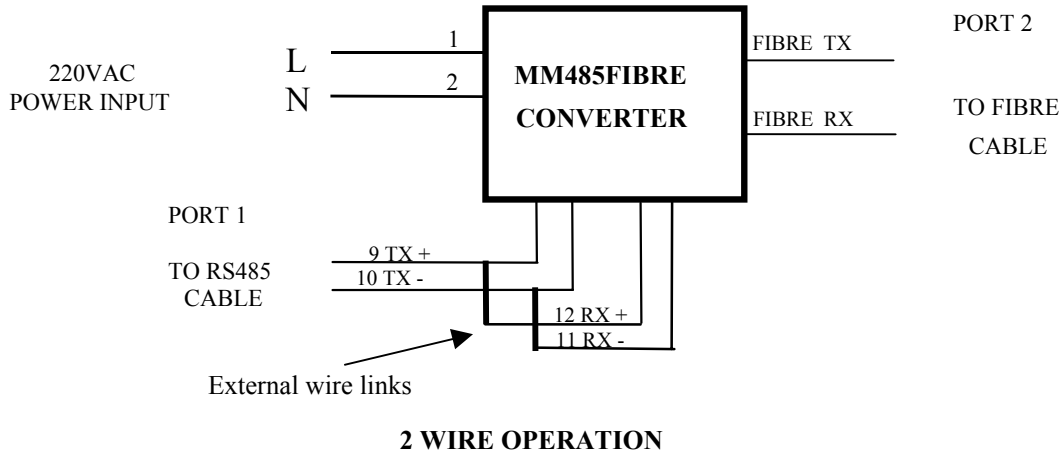
TECHNICAL DATA

- | | |
|-----------------------------------|--|
| 1. POWER REQUIREMENT: | 200 - 260VAC 50/60Hz. – LED POWER indication |
| 2. PORT TX/RX INDICATORS: | 1 x TX led and 1 x RX led per port. |
| 3. FIBRE CONNECTORS: | Supplied with either SMA or ST connectors. |
| 4. FIBRE SIZES: | 50/125µm, 62.5/125µm, and 100/140µm. |
| 5. TRANSMITTER WAVELENGTH: | 850 Nanometre. Multi-Mode. |
| 6. TRANSMISSION DISTANCE: | Up to 2 Km depending on attenuation of fibre used. |
| 7. BAUD RATE: | Selectable per port – 1200, 2400, 4800, 9600, 19200 and 38400. |
| 8. DATA BITS: | Selectable per port - 7 or 8 data bits |
| 9. STOP BITS: | Selectable per port – 1 or 2 stop bits |
| 10. PARITY BITS: | Selectable per port - none, even or odd parity |
| 11. ISOLATION: | Transformer/OptoCoupler - 1500VACrms |
| 12. OPERATING TEMPERATURE: | -20°C to + 80°C. |
| 13. DIMENSIONS: | 105mm (HIGH) X 70mm (WIDE) X 60mm (DEEP) |
| 14. PROPAGATION DELAY | one character delay |

MODULE WIRING



4 WIRE OPERATION



*****NOTE: 120ohm termination resistors must be placed at the ends of the RS422 / RS485 twisted pair cables for correct operation ***.**

SWITCH SETTINGS:

SWITCH SW1 - RS422/RS485 PORT1 SETUP

SWITCH SW2 - FIBRE OPTIC PORT2 SETUP

SWITCH SETTINGS SW1 & SW2			
No.	FUNCTION	ON	OFF
8	FULL DUPLEX	S8	-
8	HALF DUPLEX	-	S8
7	DATA BITS - 7	S7	-
7	DATA BITS - 8	-	S7
6	STOP BITS - 2	S6	-
6	STOP BITS - 1	-	S6
4,5	PARITY - ODD	S5	S4
4,5	PARITY - EVEN	S4	S5
4,5	PARITY - NONE	-	S4,S5
1,2,3	BAUD 38400	S3/S1	S2
1,2,3	BAUD 19200	S3	S1,S2
1,2,3	BAUD 4800	S1,S2	S3
1,2,3	BAUD 2400	S2	S1,S3
1,2,3	BAUD 1200	S1	S2,S3
1,2,3	BAUD 9600	-	S1,S2,S3

Order Code

Description

MM485FIBRE/SMA
MM485FIBRE/ST

RS422 / RS485 FIBRE OPTIC CONVERTER SMA CONNECTOR 850nm
RS422/RS485 FIBRE OPTIC CONVERTER ST CONNECTOR 850nm

Other products available in this product range:

Order Code

Description

MMINTCONV
MM485REP
MM232FIBRE/ST
MM232FIBRE/SMA

RS232 TO RS485/RS422 ISOLATED CONVERTER
RS422 / RS485 ISOLATED REPEATER
RS232 / MULTI MODE FIBRE OPTIC CONVERTER ST CONNECTOR 850nm
RS232 / MULTI MODE FIBRE OPTIC CONVERTER SMA CONNECTOR 850nm