

MMINTCONV INTELLIGENT RS232 TO RS422/485 ISOLATED CONVERTER

DATA SHEET

The MMINTCONV unit is a bi-direction serial converter unit used to convert RS232 data communications signals for transmission over 2 or 4 wire RS485 (RS422) twisted pair cables. Each port is fully configurable via dipswitches for baud rate, parity, data bits, stop bits and full or half duplex modes. The converter can be used to communicate with RS422/RS485 devices and to extend the limited distance capabilities of RS232 devices such as printers and terminals for up to one kilometre.

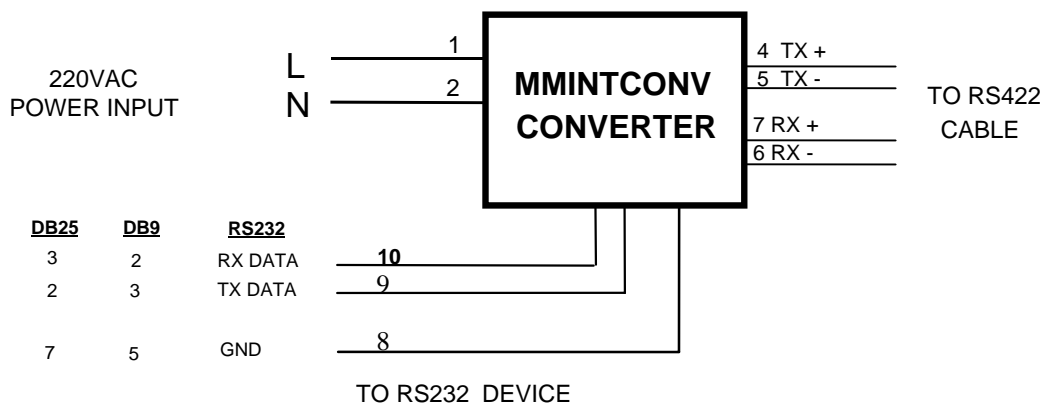
Standard features of the converter are:

- **2 (RS485) or 4 (RS422) Wire Operation.**
External wire links are required to select 2 wire (RS485) mode.
- **Baud Rate, Data Bits, Stop Bits, Parity and Half or Full Duplex Mode.**
Each port is configurable via an 8way dipswitch.
- **Signal Isolation.**
The converter module isolates the RS232 and RS485/RS422 signals to prevent ground loops between remote devices.
- **DIN Rail Mount.**
The converter module plugs directly on to a DIN rail.

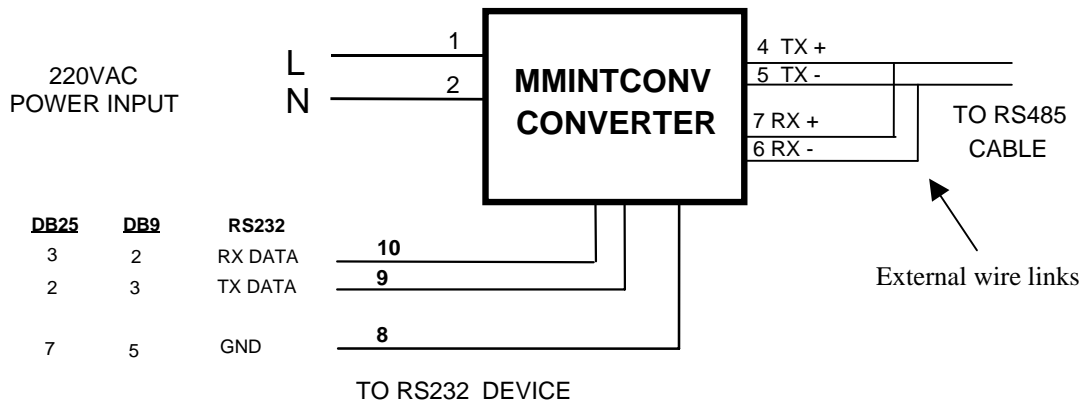
TECHNICAL DATA

- | | |
|-----------------------------------|--|
| 1. POWER REQUIREMENT: | 200 - 260VAC 50/60Hz. – LED POWER indication |
| 2. PORT TX/RX INDICATORS: | 1 x TX led and 1 x RX led per port. |
| 3. TRANSMISSION MEDIUM: | 2 OR 4 Wire twisted pair cable. |
| 4. TRANSMISSION DISTANCE: | Up to 1 Km. |
| 5. BAUD RATE: | Selectable per port – 1200, 2400, 4800, 9600, 19200 and 38400. |
| 6. DATA BITS: | Selectable per port - 7 or 8 data bits |
| 7. STOP BITS: | Selectable per port – 1 or 2 stop bits |
| 8. PARITY BITS: | Selectable per port - none, even or odd parity |
| 9. ISOLATION: | Transformer/OptoCoupler - 1500VACrms |
| 10. OPERATING TEMPERATURE: | -20°C to + 80°C. |
| 11. DIMENSIONS: | 105mm (HIGH) X 70mm (WIDE) X 60mm (DEEP) |

MODULE WIRING



4 WIRE OPERATION



2 WIRE OPERATION

*****NOTE: 120ohm termination resistors must be placed at the ends of the RS422 / RS485 twisted pair cables for correct operation ***.**

SWITCH SETTINGS:

SWITCH SW1 - RS232 PORT SETUP

SWITCH SW2 - RS422/RS485 PORT SETUP

SWITCH SETTINGS SW1 & SW2			
No.	FUNCTION	ON	OFF
8	FULL DUPLEX	S8	-
8	HALF DUPLEX	-	S8
7	DATA BITS - 7	S7	-
7	DATA BITS - 8	-	S7
6	STOP BITS - 2	S6	-
6	STOP BITS - 1	-	S6
4,5	PARITY - ODD	S5	S4
4,5	PARITY - EVEN	S4	S5
4,5	PARITY - NONE	-	S4,S5
1,2,3	BAUD 38400	S3/S1	S2
1,2,3	BAUD 19200	S3	S1,S2
1,2,3	BAUD 4800	S1,S2	S3
1,2,3	BAUD 2400	S2	S1,S3
1,2,3	BAUD 1200	S1	S2,S3
1,2,3	BAUD 9600	-	S1,S2,S3

Order Code

Description

MMINTCONV RS232 / RS485 INTELLIGENT CONVERTER

Other products available in this product range:

Order Code

Description

MM485REP RS422 / RS485 REPEATER
MM232OPTO/SMA RS232 / MULTI MODE FIBRE OPTIC CONVERTER WITH SMA CONNECTOR 850nm
MM485OPTO/SMA RS485 / MULTI MODE FIBRE OPTIC CONVERTER WITH SMA CONNECTOR 850nm